

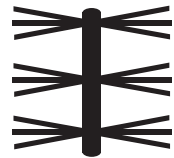
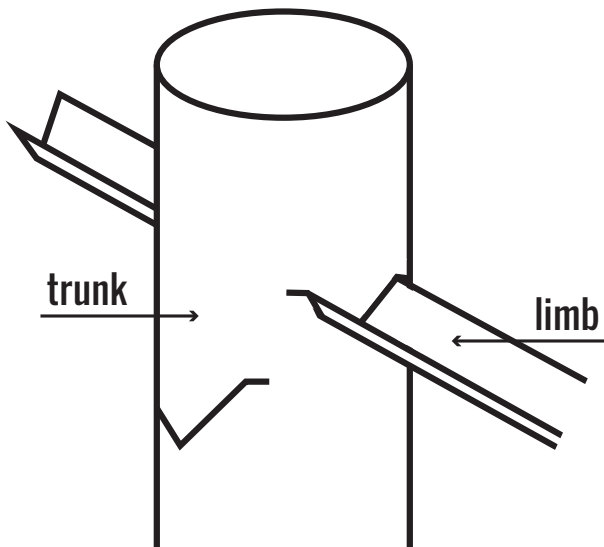
MossBack Limb/Trunk Assembly

(for assembly of all MossBack products and kits)

1. Position trunk upright where slits appear as “V” shapes.
2. Insert one limb into outer V-shape and **angle tip down slightly** as you insert into V-shape directly across trunk.
3. Ensure limb is fit securely through V-shapes on both sides of trunk.
MossBack products allow you to create multiple limb configurations. Leave at least 4" of limb through on one side of trunk. See ideas below.
4. Continue inserting limbs in trunk repeating first three steps.

Product needs weighting. We recommend our concrete block adapter to easily attach a concrete block to our single products. For all kits, place gravel, concrete block(s), or a bag of concrete in the base.

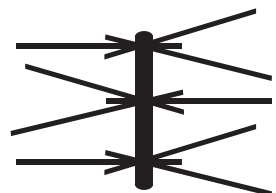
Do not place in swimming or boating areas. Check your local game laws. Note the depth and direction of boat lift when placing your habitat. See product assembly online at MossbackFishHabitat.com.



Regular



All limbs to one side
(creates a stakebed)



Widespread for
maximum coverage